

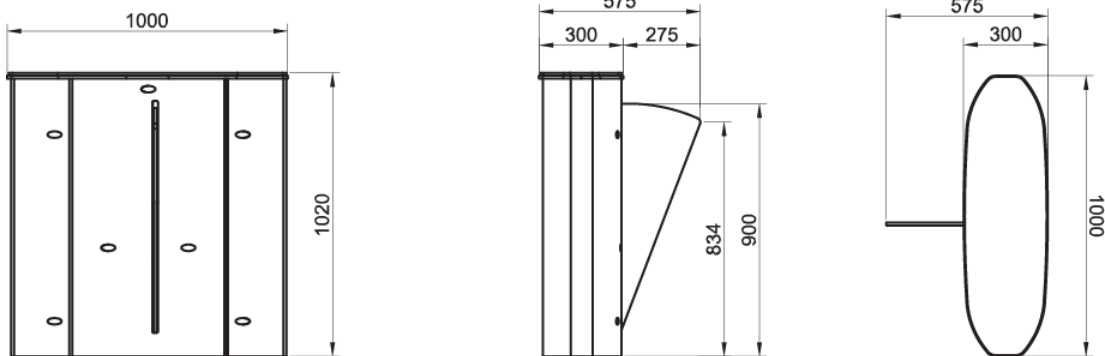


# HG 02 GL S / HG 02 GL C TECHNICAL SPECIFICATIONS

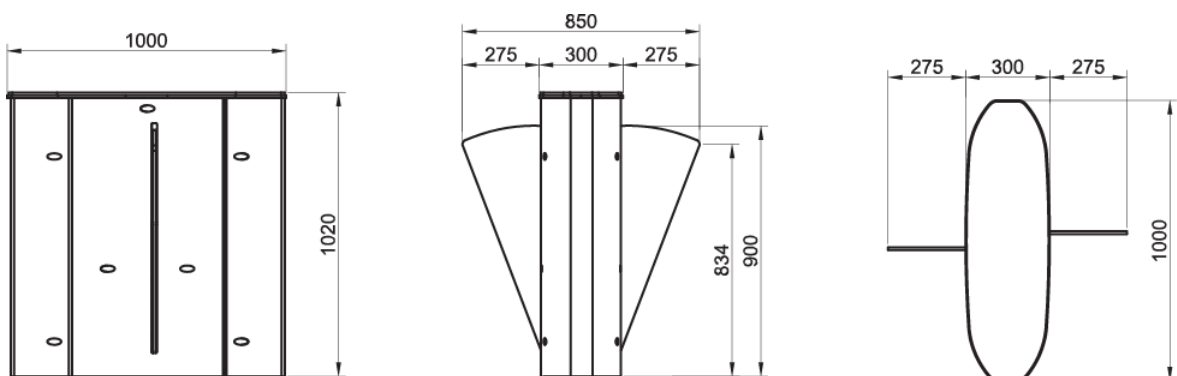
## HG02 GL-S HG02 GL-C



HG 02 GL-S : SINGLE UNIT (LEFT or RIGHT)



HG 02 GL-C : CENTER UNIT



**Power Requirements** : 110/220-240V. 60/50Hz. AC (%±10) 24V.DC  
Single Unit: At standby ~10W. During operation ~39W.  
Center Unit: At standby ~20W. During operation ~78W

**Dimensions** : Single Unit : 1000 x 1020 x 300 + wing length (275) mm  
Center Unit : 1000 x 1020 x 300 + wing length (275 x 2) mm



# HG 02 GL S / HG 02 GL C TECHNICAL SPECIFICATIONS

- Wing Features** : RGB LED illuminated, 10 mm impact resistant tempered glass (opt. polycarbon) wings.
- Top Lid** : Tempered glass top lid (opt. other materials)
- Body Features** : The body is made of 304-grade (Opt. 316-grade) satin finished stainless steel.
- Indicator & Display Features**  
: An illuminated acrylic layer under the glass top lid is included. At standby, the acrylic layer illuminated in blue; during authorised passages it flashes green; when an unauthorized attempt is detected or during alert mode it flashes red. (opt. sliding asteroid animated indicator on top lid)
- Operating Temperature, Humidity, IP Rating, MCBF**  
: -20°C to +68°C / RH 95% non-condensing / IP 44 indoor model / 1M cycles
- Control System** : All inputs are opto-coupler protected . Compatible with all access control systems that provide dry contact or grounding outputs. Optional RS232/RS485/TCP IP control module is available.
- System Features& Operation**  
: Electronically controlled rapid wing movement for quick and smooth bi-directional passages. Internal dip switch selectable free passage by photocell detection, restricted access, controlled access on both or single direction modes are built in features.
- Output Data** : The system provides dry contact passage feedback by relays.
- Emergency Mode** : System allows free passage in emergency mode and in case of power failure (powered by internal back-up battery).
- Flow Rate** : Wing opening speed/time: 0,5 sec. wing closing speed/time: 0,5 sec.  
Nominal: ~30 - 60 passages/minute (recommended reference figure).  
❖ Utilisation of different access control units can change the flow rate.
- Standard Features** : RGB LED illuminated status indicators, tempered glass top lid.
- Optional Accessories and Applications**  
: Sliding asteroid animated indicator on top lid, remote control unit, manual control, coin slot/intelligent coin system and coin box, counter, card reader pole, photocell alarm sensor, interface unit for PC, RS485, RS232 and LAN, audio-messaging system, base plate, separator.
- Note** : A passage lane consists of min. 2 pieces of single units facing each other.

*\*Design and specifications are subject to change without notice.*



# HG 02 GL S / HG 02 GL C TECHNICAL SPECIFICATIONS

